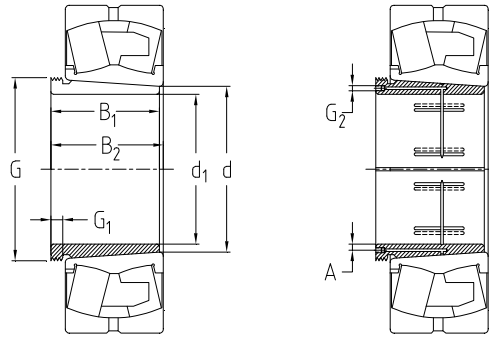


## Abziehhülse Withdrawal Sleeves

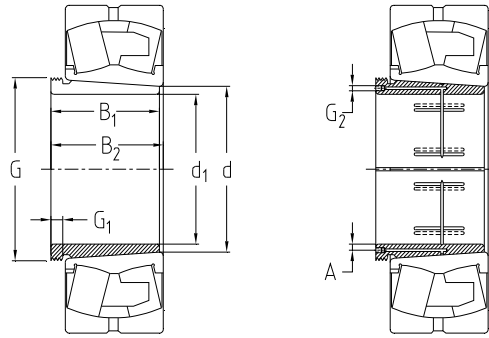


Abmessungen Dimensions						Gewicht Weight	Kurzzeichen Designation Abziehhülse Withdrawal Sleeves	Wellenmutter z. Demontage Locknut for disassembly	Hydraulik- mutter Hydraulic nuts
d <sub>1</sub>	d	B <sub>1</sub>	B <sub>2</sub> <sup>1)</sup>	G	G <sub>1</sub>				
mm						kg			
35	40	29	32	M 45x1,5	6	0,09	AH 308	KM 9	-
		40	43	M 45x1,5	7	0,13	AH 2308	KM 9	-
40	45	31	34	M 50x1,5	6	0,12	AH 309	KM 10	RKP 50
		44	47	M 50x1,5	7	0,16	AH 2309	KM 10	RKP 50
45	50	35	38	M 55x2	7	0,13	AHX 310	KM 11	RKP 55
		50	53	M 55x2	9	0,19	AHX 2310	KM 11	RKP 55
50	55	37	40	M 60x2	7	0,16	AHX 311	KM 12	RKP 60
		54	57	M 60x2	10	0,26	AHX 2311	KM 12	RKP 60
55	60	40	43	M 65x2	8	0,19	AHX 312	KM 13	RKP 65
		58	61	M 65x2	11	0,30	AHX 2312	KM 13	RKP 65
60	65	42	45	M 70x2	8	0,23	AH 313 G	KM 14	RKP 70
		61	64	M 70x2	12	0,36	AH 2313 G	KM 14	RKP 70
65	70	43	47	M 75x2	8	0,25	AH 314 G	KM 15	RKP 75
		64	68	M 75x2	12	0,42	AHX 2314 G	KM 15	RKP 75
70	75	45	49	M 80x2	8	0,30	AH 315 G	KM 16	RKP 80
		68	72	M 80x2	12	0,48	AHX 2315 G	KM 16	RKP 80
75	80	48	52	M 90x2	8	0,37	AH 316	KM 18	RKP 90
		71	75	M 90x2	12	0,57	AHX 2316	KM 18	RKP 90
80	85	52	56	M 95x2	9	0,43	AHX 317	KM 19	RKP 95
		74	78	M 95x2	13	0,65	AHX 2317	KM 19	RKP 95

<sup>1)</sup> Breite vor dem Einpressen der Hülse in die Lagerbohrung

<sup>1)</sup> Width before the sleeves is pressed into the bearing bore

## Abziehhülse Withdrawal Sleeves

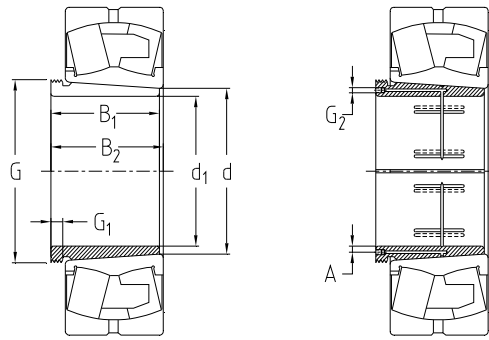


Abmessungen Dimensions						Gewicht Weight	Kurzzeichen Designation Abziehhülse Withdrawal Sleeves	Wellenmutter z. Demontage Locknut for disassembly	Hydraulik- mutter Hydraulic nuts
d <sub>1</sub>	d	B <sub>1</sub>	B <sub>2</sub> <sup>1)</sup>	G	G <sub>1</sub>				
mm						kg			
85	90	53	57	M 100x2	9	0,46	AHX 318	KM 20	RKP 100
		79	83	M 100x2	14	0,76	AHX 2318	KM 20	RKP 100
		63	67	M 100x2	10	0,57	AHX 3218	KM 20	RKP 100
90	95	57	61	M 105x2	10	0,54	AHX 319	KM 21	RKP 105
		85	89	M 105x2	16	0,90	AHX 2319	KM 21	RKP 105
95	100	59	63	M 110x2	10	0,58	AHX 320	KM 22	RKP 110
		64	68	M 110x2	11	0,66	AHX 3120	KM 22	RKP 110
		73	77	M 110x2	11	0,76	AHX 3220	KM 22	RKP 110
		90	94	M 110x2	16	1,00	AHX 2320	KM 22	RKP 110
105	110	63	67	M 120x2	12	0,77	AHX 322	KM 24	RKP 120
		98	102	M 120x2	16	1,28	AHX 2322 G	KM 24	RKP 120
		68	72	M 120x2	11	0,76	AHX 3122	KM 24	RKP 120
		82	86	M 120x2	11	1,00	AHX 3222 G	KM 24	RKP 120
		82	91	M115x2	13	0,71	AH 24122	KM 23	RKP 115
115	120	105	109	M 130x2	17	1,53	AHX 2324 G	KM 26	RKP 130
		60	64	M 130x2	13	0,73	AHX 3024	KM 26	RKP 130
		75	79	M 130x2	12	0,94	AHX 3124	KM 26	RKP 130
		90	94	M 130x2	13	1,70	AHX 3224 G	KM 26	RKP 130
		73	82	M 125x2	13	0,70	AH 24024	KM 25	RKP 125
		93	102	M 130x2	13	1,00	AH 24124	KM 26	RKP 130
125	130	115	119	M 140x2	19	1,90	AHX 2326 G	KM 28	RKP 140
		67	71	M 140x2	14	0,91	AHX 3026	KM 28	RKP 140
		78	82	M 140x2	12	1,10	AHX 3126	KM 28	RKP 140

<sup>1)</sup> Breite vor dem Einpressen der Hülse in die Lagerbohrung

<sup>1)</sup> Width before the sleeves is pressed into the bearing bore

## Abziehhülse Withdrawal Sleeves

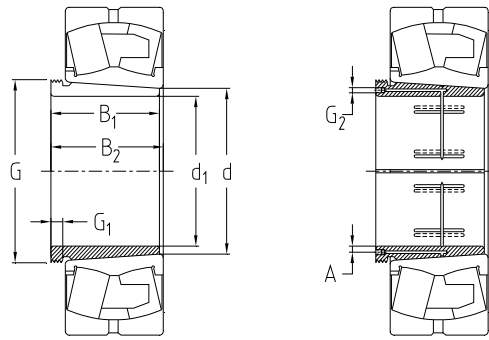


Abmessungen Dimensions						Gewicht Weight	Kurzzeichen Designation Abziehhülse Withdrawal Sleeves	Wellenmutter z. Demontage Locknut for disassembly	Hydraulik- mutter Hydraulic nuts
d <sub>1</sub>	d	B <sub>1</sub>	B <sub>2</sub> <sup>1)</sup>	G	G <sub>1</sub>				
mm						kg			
125	130	98	102	M 140x2	15	1,50	<b>AHX 3226 G</b>	KM 28	RKP 140
		83	93	M 135x2	14	0,88	<b>AH 24026</b>	KM 27	RKP 135
		94	104	M 140x2	14	1,15	<b>AH 24126</b>	KM 28	RKP 140
135	140	125	130	M 150x2	20	2,25	<b>AHX 2328 G</b>	KM 30	RKP 150
		68	73	M 150x2	14	1,00	<b>AHX 3028</b>	KM 30	RKP 150
		83	88	M 150x2	14	1,30	<b>AHX 3128</b>	KM 30	RKP 150
		104	109	M 150x2	15	1,80	<b>AHX 3228 G</b>	KM 30	RKP 150
		83	93	M 145x2	14	0,95	<b>AH 24028</b>	KM 29	RKP 145
		99	109	M 150x2	14	1,30	<b>AH 24128</b>	KM 30	RKP 150
145	150	135	140	M 160x3	24	3,70	<b>AHX 2330 G</b>	KM 32	RKP 160
		72	77	M 160x3	15	1,15	<b>AHX 3030</b>	KM 32	RKP 160
		96	101	M 160x3	15	1,70	<b>AHX 3130 G</b>	KM 32	RKP 160
		114	119	M 160x3	17	2,10	<b>AHX 3230 G</b>	KM 32	RKP 160
		90	101	M 155x3	15	1,05	<b>AH 24030</b>	KM 31	RKP 155
		115	126	M 160x3	15	1,55	<b>AH 24130</b>	KM 32	RKP 160
150	160	140	146	M 170x3	24	4,30	<b>AH 2332 G</b>	KM 34	RKP 170
		77	82	M 170x3	16	2,05	<b>AH 3032</b>	KM 34	RKP 170
		103	108	M 170x3	16	3,00	<b>AH 3132 G</b>	KM 34	RKP 170
		124	130	M 170x3	20	3,70	<b>AH 3232 G</b>	KM 34	RKP 170
		95	106	M 170x3	15	2,30	<b>AH 24032</b>	KM 34	RKP 170
		124	135	M 170x3	15	3,00	<b>AH 24132</b>	KM 34	RKP 170
160	170	146	152	M 180x3	24	4,85	<b>AH 2334 G</b>	KM 36	RKP 180
		85	90	M 180x3	17	2,45	<b>AH 3034</b>	KM 36	RKP 180
		104	109	M 180x3	16	3,20	<b>AH 3134 G</b>	KM 36	RKP 180

<sup>1)</sup> Breite vor dem Einpressen der Hülse in die Lagerbohrung

<sup>1)</sup> Width before the sleeves is pressed into the bearing bore

## Abziehhülse Withdrawal Sleeves

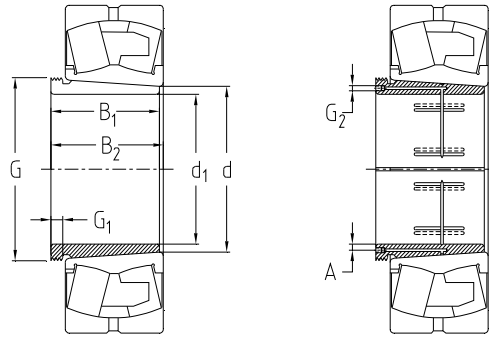


Abmessungen Dimensions						Gewicht Weight	Kurzzeichen Designation Abziehhülse Withdrawal Sleeves	Wellenmutter z. Demontage Locknut for disassembly	Hydraulik- mutter Hydraulic nuts
d <sub>1</sub>	d	B <sub>1</sub>	B <sub>2</sub> <sup>1)</sup>	G	G <sub>1</sub>				
mm						kg			
160	170	134	140	M 180x3	24	4,35	AH 3234 G	KM 36	RKP 180
		106	117	M 180x3	16	2,70	AH 24034	KM 36	RKP 180
		125	136	M 180x3	16	3,25	AH 23134	KM 36	RKP 180
170	180	105	110	M 190x3	17	3,40	AH 2236 G	KM 38	RKP 190
		154	160	M 190x3	26	5,50	AH 2336 G	KM 38	RKP 190
		92	98	M 190x3	17	2,80	AH 3036	KM 38	RKP 190
		116	122	M 190x3	19	3,90	AH 3136 G	KM 38	RKP 190
		140	146	M 190x3	24	4,85	AH 3236 G	KM 38	RKP 190
		116	127	M 190x3	16	3,20	AH 24036	KM 38	RKP 190
		134	145	M 190x3	16	3,75	AH 24136	KM 38	RKP 190
180	190	112	117	M 200x3	18	3,90	AH 2238 G	KM 40	RKP 200
		160	167	M 200x3	26	6,10	AH 2338 G	KM 40	RKP 200
		96	102	M 200x3	18	3,30	AH 3038 G	KM 40	RKP 200
		125	131	M 200x3	20	4,50	AH 3138 G	KM 40	RKP 200
		145	152	M 200x3	25	5,40	AH 3238 G	KM 40	RKP 200
		118	131	M 200x3	18	3,55	AH 24038	KM 40	RKP 200
		146	159	M 200x3	18	4,45	AH 24138	KM 40	RKP 200
190	200	118	123	Tr 220x4	19	4,70	AH 2240	HM 44 T	RKP 220
		170	177	Tr 220x4	30	7,60	AH 2340	HM 44 T	RKP 220
		102	108	Tr 210x4	19	3,70	AH 3040 G	HM 42 T	RKP 210
		134	140	Tr 220x4	21	5,65	AH 3140	HM 44 T	RKP 220
		153	160	Tr 220x4	25	6,60	AH 3240	HM 44 T	RKP 220
		127	140	Tr 210x4	18	4,00	AH 24040	HM 42 T	RKP 210
		158	171	Tr 210x4	18	5,05	AH 24140	HM 42 T	RKP 210

<sup>1)</sup> Breite vor dem Einpressen der Hülse in die Lagerbohrung

<sup>1)</sup> Width before the sleeves is pressed into the bearing bore

# Abziehhülse Withdrawal Sleeves

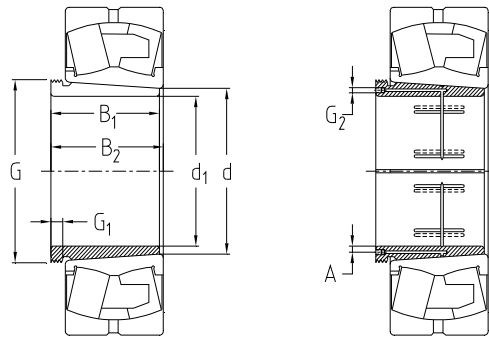


Abmessungen Dimensions						Gewicht Weight	Kurzzeichen Designation Abziehhülse Withdrawal Sleeves	Wellenmutter z. Demontage Locknut for disassembly	Hydraulik- mutter Hydraulic nuts
d <sub>1</sub>	d	B <sub>1</sub>	B <sub>2</sub> <sup>1)</sup>	G	G <sub>1</sub>				
mm						kg			
200	220	181	189	Tr 240x4	30	13,50	<b>AOH 2344</b>	HM 48 T	RKP 240
		111	117	Tr 230x4	20	7,30	<b>AOH 3044 G</b>	HM 46 T	RKP 230
		145	151	Tr 240x4	23	9,30	<b>AOH 3144</b>	HM 48 T	RKP 240
		130	136	Tr 240x4	20	9,40	<b>AOH 2244</b>	HM 48 T	RKP 240
		138	152	Tr 230x4	20	8,20	<b>AOH 24044</b>	HM 46 T	RKP 230
		170	184	Tr 230x4	20	10,00	<b>AOH 24144</b>	HM 46 T	RKP 230
220	240	189	197	Tr 260x4	30	14,0	<b>AOH 2348</b>	HM 52 T	RKP 260
		116	123	Tr 260x4	21	7,95	<b>AOH 3048</b>	HM 52 T	RKP 260
		154	161	Tr 260x4	25	12,0	<b>AOH 3148</b>	HM 52 T	RKP 260
		144	150	Tr 260x4	21	11,5	<b>AOH 2248</b>	HM 52 T	RKP 260
		138	153	Tr 260x4	20	8,05	<b>AOH 24048</b>	HM 50 T	RKP 250
		180	195	Tr 260x4	20	11,5	<b>AOH 24148</b>	HM 52 T	RKP 260
240	260	155	161	Tr 280x4	23	13,5	<b>AOH 2252 G</b>	HM 56 T	RKP 280
		205	213	Tr 280x4	30	19,0	<b>AOH 2352 G</b>	HM 56 T	RKP 280
		128	135	Tr 280x4	23	9,6	<b>AOH 3052</b>	HM 56 T	RKP 280
		172	179	Tr 280x4	26	15,5	<b>AOH 3152 G</b>	HM 56 T	RKP 280
		162	178	Tr 280x4	22	12,5	<b>AOH 24052 G</b>	HM 56 T	RKP 280
		202	218	Tr 280x4	22	14,0	<b>AOH 24152</b>	HM 56 T	RKP 280
260	280	155	163	Tr 300x4	24	14,8	<b>AOH 2256 G</b>	HM 3160	RKP 300
		212	220	Tr 300x4	30	21,5	<b>AOH 2356 G</b>	HM 3160	RKP 300
		131	139	Tr 300x4	24	11,0	<b>AOH 3056</b>	HM 3060	RKP 300
		175	183	Tr 300x4	28	17,0	<b>AOH 3156 G</b>	HM 3160	RKP 300
		162	179	Tr 300x4	22	13,5	<b>AOH 24056 G</b>	HM 3160	RKP 300
		202	219	Tr 300x4	22	15,0	<b>AOH 24156</b>	HM 3160	RKP 300

<sup>1)</sup> Breite vor dem Einpressen der Hülse in die Lagerbohrung

<sup>1)</sup> Width before the sleeves is pressed into the bearing bore

## Abziehhülse Withdrawal Sleeves

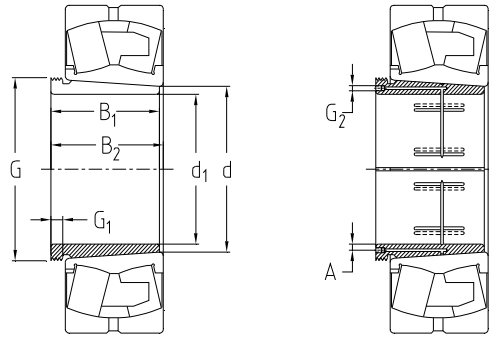


Abmessungen Dimensions						Gewicht Weight	Kurzzeichen Designation Abziehhülse Withdrawal Sleeves	Wellenmutter z. Demontage Locknut for disassembly	Hydraulik- mutter Hydraulic nuts
d <sub>1</sub>	d	B <sub>1</sub>	B <sub>2</sub> <sup>1)</sup>	G	G <sub>1</sub>				
mm						kg			
<b>280</b>	300	170	178	Tr 320x5	26	17,5	<b>AOH 2260 G</b>	HM 3164	RKP 320
		145	153	Tr 320x5	26	13,0	<b>AOH 3060</b>	HM 3064	RKP 320
		192	200	Tr 320x5	30	20,5	<b>AOH 3160 G</b>	HM 3164	RKP 320
		228	236	Tr 320x5	34	23,5	<b>AOH 3260 G</b>	HM 3164	RKP 320
		184	202	Tr 320x5	24	17,0	<b>AOH 24060 G</b>	HM 3164	RKP 320
		224	242	Tr 320x5	24	18,5	<b>AOH 24160</b>	HM 3164	RKP 320
<b>300</b>	320	180	190	Tr 340x5	27	20,0	<b>AOH 2264 G</b>	HM 3168	RKP 340
		149	157	Tr 340x5	27	16,5	<b>AOH 3064 G</b>	HM 3068	RKP 340
		209	217	Tr 340x5	31	24,5	<b>AOH 3164 G</b>	HM 3168	RKP 340
		246	254	Tr 340x5	36	27,5	<b>AOH 3264 G</b>	HM 3168	RKP 340
		184	202	Tr 340x5	24	18,0	<b>AOH 24064 G</b>	HM 3168	RKP 340
		242	260	Tr 340x5	24	20,5	<b>AOH 24164</b>	HM 3168	RKP 340
<b>320</b>	340	162	171	Tr 360x5	28	19,0	<b>AOH 3068 G</b>	HM 3072	RKP 360
		225	234	Tr 360x5	33	28,0	<b>AOH 3168 G</b>	HM 3172	RKP 360
		264	273	Tr 360x5	38	32,0	<b>AOH 3268 G</b>	HM 3172	RKP 360
		206	225	Tr 360x5	26	18,0	<b>AOH 24068</b>	HM 3172	RKP 360
		269	288	Tr 360x5	26	25,5	<b>AOH 24168</b>	HM 3172	RKP 360
<b>340</b>	360	167	176	Tr 380x5	30	21,0	<b>AOH 3072 G</b>	HM 3076	RKP 380
		229	238	Tr 380x5	35	30,5	<b>AOH 3172 G</b>	HM 3176	RKP 380
		274	283	Tr 380x5	40	35,5	<b>AOH 3272 G</b>	HM 3176	RKP 380
		206	226	Tr 380x5	26	20,0	<b>AOH 24072</b>	HM 3176	RKP 380
		269	289	Tr 380x5	26	26,0	<b>AOH 24172</b>	HM 3176	RKP 380
<b>360</b>	380	170	180	Tr 400x5	31	23,0	<b>AOH 3076 G</b>	HM 3080	RKP 400
		232	242	Tr 400x5	36	33,0	<b>AOH 3176 G</b>	HM 3180	RKP 400

<sup>1)</sup> Breite vor dem Einpressen der Hülse in die Lagerbohrung

<sup>1)</sup> Width before the sleeves is pressed into the bearing bore

# Abziehhülse Withdrawal Sleeves

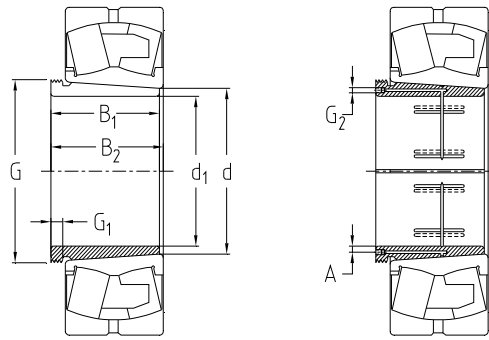


Abmessungen Dimensions						Gewicht Weight	Kurzzeichen Designation Abziehhülse Withdrawal Sleeves	Wellenmutter z. Demontage Locknut for disassembly	Hydraulik- mutter Hydraulic nuts
d <sub>1</sub>	d	B <sub>1</sub>	B <sub>2</sub> <sup>1)</sup>	G	G <sub>1</sub>				
mm						kg			
360	380	284	294	Tr 400x5	42	42,0	<b>AOH 3276 G</b>	HM 3180	RKP 400
		208	228	Tr 400x5	28	23,0	<b>AOH 24076</b>	HM 3180	RKP 400
		271	291	Tr 400x5	28	31,0	<b>AOH 24176</b>	HM 3180	RKP 400
380	400	183	193	Tr 420x5	33	26,0	<b>AOH 3080 G</b>	HM 3184	RKP 420
		240	250	Tr 420x5	38	36,0	<b>AOH 3180 G</b>	HM 3184	RKP 420
		302	312	Tr 420x5	44	48,0	<b>AOH 3280 G</b>	HM 3184	RKP 420
		228	248	Tr 420x5	28	27,0	<b>AOH 24080</b>	HM 3184	RKP 420
		278	298	Tr 420x5	28	35,0	<b>AOH 24180</b>	HM 3184	RKP 420
400	420	186	196	Tr 440x5	34	28,0	<b>AOH 3084 G</b>	HM 3088	RKP 440
		266	276	Tr 440x5	40	43,0	<b>AOH 3184 G</b>	HM 3188	RKP 440
		321	331	Tr 440x5	46	54,5	<b>AOH 3284 G</b>	HM 3188	RKP 440
		230	252	Tr 440x5	30	29,0	<b>AOH 24084</b>	HM 3188	RKP 440
		310	332	Tr 440x5	30	39,0	<b>AOH 24184</b>	HM 3188	RKP 440
420	440	194	205	Tr 460x5	35	30,8	<b>AOH 3088 G</b>	HM 3092	RKP 460
		270	281	Tr 460x5	42	46,0	<b>AOH 3188 G</b>	HM 3192	RKP 460
		330	341	Tr 460x5	48	59,0	<b>AOH 3288 G</b>	HM 3192	RKP 460
		242	264	Tr 460x5	30	32,0	<b>AOH 24088</b>	HM 3192	RKP 460
		310	332	Tr 460x5	30	45,5	<b>AOH 24188</b>	HM 3192	RKP 460
440	460	202	213	Tr 480x5	37	33,8	<b>AOH 3092 G</b>	HM 3096	RKP 480
		285	296	Tr 480x5	43	51,5	<b>AOH 3192 G</b>	HM 3196	RKP 480
		349	360	Tr 480x5	50	66,5	<b>AOH 3292 G</b>	HM 3196	RKP 480
		250	273	Tr 480x5	32	34,7	<b>AOH 24092</b>	HM 3196	RKP 480
		332	355	Tr 480x5	32	50,0	<b>AOH 24192</b>	HM 3196	RKP 480

<sup>1)</sup> Breite vor dem Einpressen der Hülse in die Lagerbohrung

<sup>1)</sup> Width before the sleeves is pressed into the bearing bore

## Abziehhülse Withdrawal Sleeves



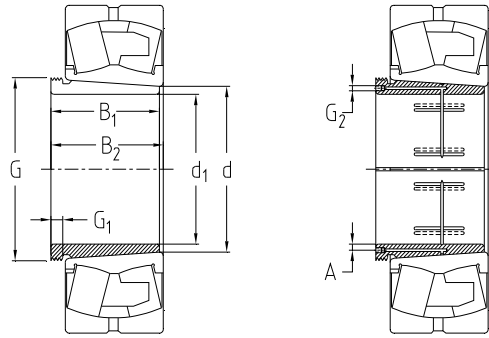
Abmessungen Dimensions						Gewicht Weight	Kurzzeichen Designation Abziehhülse Withdrawal Sleeves	Wellenmutter z. Demontage Locknut for disassembly	Hydraulik- mutter Hydraulic nuts
d <sub>1</sub>	d	B <sub>1</sub>	B <sub>2</sub> <sup>1)</sup>	G	G <sub>1</sub>				
mm						kg			
460	480	205	217	Tr 500x5	38	36,0	<b>AOH 3096 G</b>	HM 30/500	RKP 500
		295	307	Tr 500x5	45	56,0	<b>AOH 3196 G</b>	HM 31/500	RKP 500
		364	376	Tr 500x5	52	73,5	<b>AOH 3296 G</b>	HM 31/500	RKP 500
		250	273	Tr 500x5	32	36,6	<b>AOH 24096</b>	HM 31/500	RKP 500
		340	363	Tr 500x5	32	51,5	<b>AOH 24196</b>	HM 31/500	RKP 500
480	500	209	221	Tr 530x6	40	41,0	<b>AOHX 30/500 G</b>	HM 30/530	RKP 530
		313	325	Tr 530x6	47	66,5	<b>AOHX 31/500 G</b>	HM 31/530	RKP 530
		393	405	Tr 530x6	54	89,5	<b>AOHX 32/500 G</b>	HM 31/530	RKP 530
		253	276	Tr 530x6	35	41,7	<b>AOH 240/500</b>	HM 31/530	RKP 530
		360	383	Tr 530x6	35	57,0	<b>AOH 241/500</b>	HM 31/530	RKP 530
500	530	230	242	Tr 560x6	45	63,5	<b>AOH 30/530</b>	HM 30/560	RKP 560
		325	337	Tr 560x6	53	94,5	<b>AOH 31/530</b>	HM 31/560	RKP 560
		412	424	Tr 560x6	57	127,0	<b>AOH 32/530 G</b>	HM 31/560	RKP 560
		285	309	Tr 560x6	35	69,5	<b>AOH 240/530 G</b>	HM 31/560	RKP 560
		370	394	Tr 560x6	35	91,5	<b>AOH 241/530 G</b>	HM 31/560	RKP 560
530	560	240	252	Tr 600x6	45	73,5	<b>AOHX 30/560</b>	HM 30/600	RKP 600
		335	347	Tr 600x6	55	108,0	<b>AOH 31/560</b>	HM 31/600	RKP 600
		422	434	Tr 600x6	57	143,0	<b>AOHX 32/560</b>	HM 31/600	RKP 600
		296	320	Tr 600x6	38	79,5	<b>AOH 240/560 G</b>	HM 31/600	RKP 600
		393	417	Tr 600x6	38	107,0	<b>AOH 241/560 G</b>	HM 31/600	RKP 600
570	600	245	259	Tr 630x6	45	77,0	<b>AOHX 30/600</b>	HM 30/630	RKP 630
		355	369	Tr 630x6	55	120,0	<b>AOHX 31/600</b>	HM 31/630	RKP 630
		445	459	Tr 630x6	57	159,0	<b>AOHX 32/600 G</b>	HM 31/630	RKP 630
		310	336	Tr 630x6	38	86,5	<b>AOHX 240/600</b>	HM 31/630	RKP 630
		413	439	Tr 630x6	38	118,0	<b>AOHX 241/600</b>	HM 31/630	RKP 630

<sup>1)</sup> Breite vor dem Einpressen der Hülse in die Lagerbohrung

<sup>1)</sup> Width before the sleeves is pressed into the bearing bore



## Abziehhülse Withdrawal Sleeves

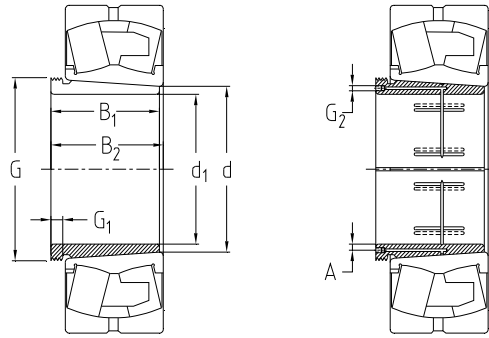


Abmessungen Dimensions						Gewicht Weight	Kurzzeichen Designation Abziehhülse Withdrawal Sleeves	Wellenmutter z. Demontage Locknut for disassembly	Hydraulik- mutter Hydraulic nuts
d <sub>1</sub>	d	B <sub>1</sub>	B <sub>2</sub> <sup>1)</sup>	G	G <sub>1</sub>				
mm						kg			
600	630	258	272	Tr 670x6	46	89,5	<b>AOH 30/630</b>	HM 30/670	RKP 670
		375	389	Tr 670x6	60	140,0	<b>AOH 31/630</b>	HM 31/670	RKP 670
		475	489	Tr 670x6	63	188,0	<b>AOH 32/630 G</b>	HM 31/670	RKP 670
		330	356	Tr 670x6	40	101,0	<b>AOH 240/630 G</b>	HM 31/670	RKP 670
		440	466	Tr 670x6	40	136,0	<b>AOH 241/630 G</b>	HM 31/670	RKP 670
630	670	280	294	Tr 710x7	50	127,0	<b>AOH 30/670</b>	HM 30/710	RKP 710
		395	409	Tr 710x7	59	189,0	<b>AOHX 31/670</b>	HM 31/710	RKP 710
		500	514	Tr 710x7	62	252,0	<b>AOH 32/670 G</b>	HM 31/710	RKP 710
		348	374	Tr 710x7	40	140,0	<b>AOH 240/670 G</b>	HM 31/710	RKP 710
		452	478	Tr 710x7	40	185,0	<b>AOH 241/670 G</b>	HM 31/710	RKP 710
670	710	286	302	Tr 750x7	50	138,0	<b>AOHX 30/710</b>	HM 30/750	RKP 750
		405	421	Tr 750x7	60	207,0	<b>AOHX 31/710</b>	HM 31/750	RKP 750
		515	531	Tr 750x7	65	278,0	<b>AOH 32/710 G</b>	HM 31/750	RKP 750
		360	386	Tr 750x7	45	155,0	<b>AOH 240/710 G</b>	HM 31/750	RKP 750
		483	509	Tr 750x7	45	212,0	<b>AOH 241/710 G</b>	HM 31/750	RKP 750
710	750	300	316	Tr 800x7	50	159	<b>AOH 30/750</b>	HM 30/800	RKP 800
		425	441	Tr 800x7	60	238	<b>AOH 31/750</b>	HM 31/800	RKP 800
		540	556	Tr 800x7	65	320	<b>AOH 32/750</b>	HM 31/800	RKP 800
		380	408	Tr 800x7	45	178	<b>AOH 240/750 G</b>	HM 31/800	RKP 800
		520	548	Tr 800x7	45	248	<b>AOH 241/750 G</b>	HM 31/800	RKP 800
750	800	307	326	Tr 850x7	50	204	<b>AOH 30/800</b>	HM 30/850	RKP 850
		438	456	Tr 850x7	63	305	<b>AOH 31/800</b>	HM 31/850	RKP 850
		550	568	Tr 850x7	67	401	<b>AOH 32/800</b>	HM 31/850	RKP 850
		395	423	Tr 850x7	50	237	<b>AOH 240/800 G</b>	HM 31/850	RKP 850
		525	553	Tr 850x7	50	318	<b>AOH 241/800 G</b>	HM 31/850	RKP 850

<sup>1)</sup> Breite vor dem Einpressen der Hülse in die Lagerbohrung

<sup>1)</sup> Width before the sleeves is pressed into the bearing bore

# Abziehhülse Withdrawal Sleeves



Abmessungen Dimensions						Gewicht Weight	Kurzzeichen Designation Abziehhülse Withdrawal Sleeves	Wellenmutter z. Demontage Locknut for disassembly	Hydraulik- mutter Hydraulic nuts
d <sub>1</sub>	d	B <sub>1</sub>	B <sub>2</sub> <sup>1)</sup>	G	G <sub>1</sub>				
mm						kg			
800	850	325	343	Tr 900x7	53	230	<b>AOH 30/850</b>	HM 30/900	RKP 900
		462	480	Tr 900x7	62	345	<b>AOH 31/850</b>	HM 31/900	RKP 900
		585	603	Tr 900x7	70	461	<b>AOH 32/850</b>	HM 31/900	RKP 900
		415	445	Tr 900x7	50	265	<b>AOH 240/850 G</b>	HM 31/900	RKP 900
		560	600	Tr 900x7	60	368	<b>AOH 241/850</b>	HM 31/900	RKP 900
850	900	335	355	Tr 950x8	55	253	<b>AOH 30/900</b>	HM 30/950	RKP 950
		475	495	Tr 950x8	63	379	<b>AOH 31/900</b>	HM 31/950	RKP 950
		585	605	Tr 950x8	70	489	<b>AOH 32/900</b>	HM 31/950	RKP 950
		430	475	Tr 950x8	55	296	<b>AOH 240/900</b>	HM 31/950	RKP 950
		575	620	Tr 950x8	60	402	<b>AOH 241/900</b>	HM 31/950	RKP 950
900	950	355	375	Tr 1000x8	55	285	<b>AOH 30/950</b>	HM 30/1000	RKP 1000
		500	520	Tr 1000x8	62	426	<b>AOH 31/950</b>	HM 31/1000	RKP 1000
		600	620	Tr 1000x8	70	533	<b>AOH 32/950</b>	HM 31/1000	RKP 1000
		467	512	Tr 1000x8	55	340	<b>AOH 240/950</b>	HM 31/1000	RKP 1000
		605	650	Tr 1000x8	60	449	<b>AOH 241/950</b>	HM 31/1000	RKP 1000
950	1000	365	387	Tr 1060x8	57	318	<b>AOH 30/1000</b>	HM 30/1060	RKP 1060
		525	547	Tr 1060x8	63	485	<b>AOH 31/1000</b>	HM 30/1060	RKP 1060
		630	652	Tr 1060x8	70	608	<b>AOH 32/1000</b>	HM 30/1060	RKP 1060
		469	519	Tr 1060x8	57	369	<b>AOH 240/1000</b>	HM 30/1060	RKP 1060
		645	695	Tr 1060x8	65	519	<b>AOH 241/1000</b>	HM 30/1060	RKP 1060
1000	1060	385	407	Tr 1120x8	60	406	<b>AOH 30/1060</b>	HM 30/1120	RKP 1120
		540	562	Tr 1120x8	65	599	<b>AOH 31/1060</b>	HM 30/1120	RKP 1120
1000	1060	498	548	Tr 1120x8	60	479	<b>AOH 240/1060</b>	HM 30/1120	RKP 1120
		665	715	Tr 1120x8	65	652	<b>AOH 241/1060</b>	HM 30/1120	RKP 1120

<sup>1)</sup> Breite vor dem Einpressen der Hülse in die Lagerbohrung

<sup>1)</sup> Width before the sleeves is pressed into the bearing bore